

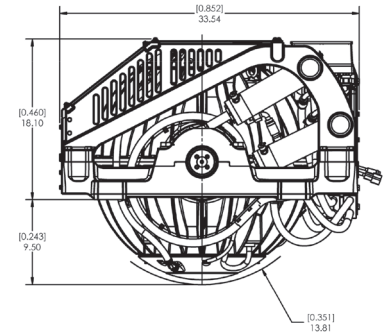
Designed to eliminate up to 95% of boat roll on ~45' - 54' vessels, up to ~25 tons, the Seakeeper 7HD is completely internal, requires only modest electrical power, and can be installed virtually anywhere on board.



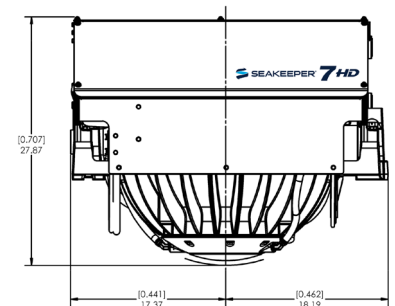
TECH SPECS

Rated Speed	7,000 RPM
Angular Momentum at Rated RPM	7,000 N-M-S
Anti-Rolling Torque at Rated RPM	14,630 N-M
Spool-up Time to Rated RPM	35 minutes (7,000 RPM)
Spool-up Time to Stabilization	25 minutes (5,600 RPM)
Spool-up Power	
AC Motor	3000 Watts Max
DC Control	240 Watts
Operating Power	
AC Motor (sea state dependent)	1000 - 2000 Watts
DC Control	240 Watts
AC Input Voltage	208 - 230 VAC (+/- 10%), 50/60 Hz, Single Phase
DC Input Voltage	24 VDC @ 10 Amps
Weight	1,210 lbs (550 kg)
Envelope Dimensions	Length x Width x Height 33.5 L x 35.6 W x 28.3 H (Inches) 0.852 L x 0.903 W x 0.720 H (Meters)
Noise Output	68-70 dBC at 1 meter

PORT VIEW



FRONT VIEW



TOP VIEW

