

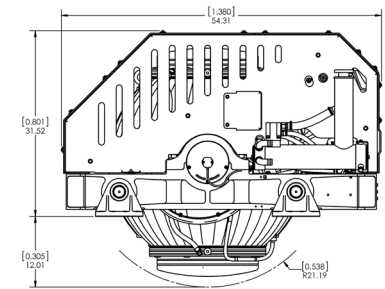
The Seakeeper 35 is designed to eliminate up to 95% of boat roll on recreational vessels greater than 85 feet (26 meters) or up to ~100 tons. It requires modest electrical power, has no outside appendages and can be installed virtually anywhere on board.



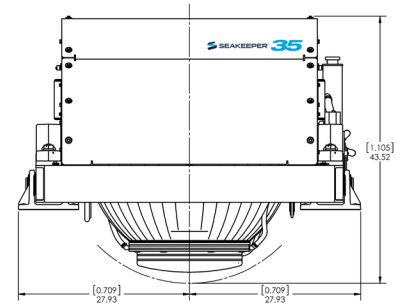
TECH SPECS

Rated Speed	5,150 RPM
Angular Momentum at Rated RPM	35,000 N-M-S
Max Anti-Rolling Torque at Rated RPM	73,000 N-M
Spool-up Time to Rated RPM	65 minutes (5,150 RPM)
Spool-up Time to Stabilization	45 minutes (4,380 RPM)
Spool-up Power	
AC Motor	5000 Watts Max
DC Control	240 Watts
Operating Power	
AC Motor (sea state dependent)	2000 - 5000 Watts
DC Control	240 Watts
AC Input Voltage	208 - 230 VAC (+/-10%), 50/60 Hz, Single Phase
DC Input Voltage	24 VDC @ 10 Amps
Sea Water Supply to Heat Exchanger	53 LPM (14 GPM) Maximum 38 LPM (10 GPM) Minimum
Ambient Air Temperature	0° - 60° C (32° - 140° F)
Weight	3,920 lbs (1,778 kg) Bolt-in Installation
Envelope Dimensions	Length x Width x Height 54.3 L x 55.9 W x 43.5 H (Inches) 1.38 L x 1.42 W x 1.11 H (Meters)
Noise Output	At full operating RPM, steady state noise measured in the factory at a 1 meter distance measures 72 - 74 dBC. (Sound levels may be higher during spool-up)

PORT VIEW



FRONT VIEW



TOP VIEW

