

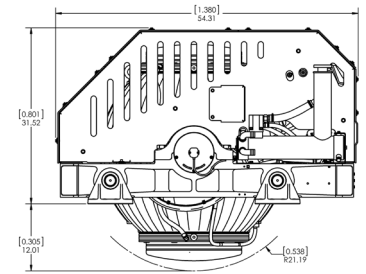
The Seakeeper 30HD is built to eliminate up to 95% of boat roll on vessels up to ~85 tons. Larger vessels can be fitted with multiple units to achieve optimal results. Unlike traditional external fins, the Seakeeper 30HD requires only modest electrical power and has no external appendages—meaning no drag or risk of snags.



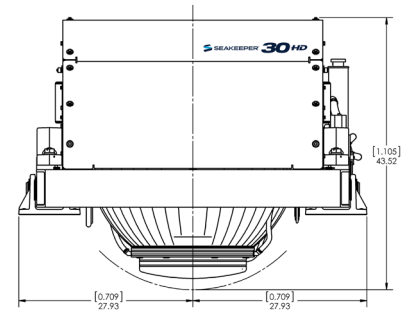
TECH SPECS

Rated Speed	4,400 RPM
Angular Momentum at Rated RPM	30,000 N-M-S
Anti-Rolling Torque at Rated RPM	62,571 N-M
Spool-up Time to Rated RPM	75 minutes (4,400 RPM)
Spool-up Time to Stabilization	50 minutes (3,500 RPM)
Spool-up Power	
AC Motor	3000 Watts Max
DC Control	240 Watts
Operating Power	
AC Motor (sea state dependent)	2000 - 3000 Watts
DC Control	240 Watts
AC Input Voltage	208 - 230 VAC (+/- 10%), 50/60 Hz, Single Phase
DC Input Voltage	24 VDC @ 10 Amps
Weight	3,920 lbs (1,778 kg)
Envelope Dimensions	Length x Width x Height 54.3 L x 55.9 W x 43.5 H (inches) 1.38 L x 1.42 W x 1.11 H (meters)
Noise Output	72-74 dBC at 1 meter

PORT VIEW



FRONT VIEW



TOP VIEW

