

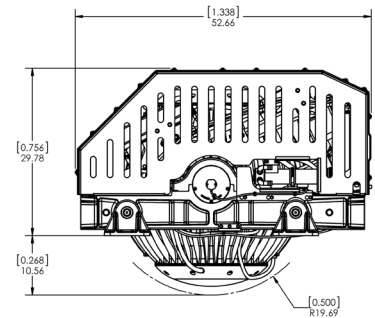
The Seakeeper 20HD is optimized to eliminate up to 95% of boat roll on boats ~65 - 74 feet, up to ~60 tons. Unlike traditional external fins, the Seakeeper 20HD requires only modest electrical power and has no external appendages, and can be installed virtually anywhere on board.



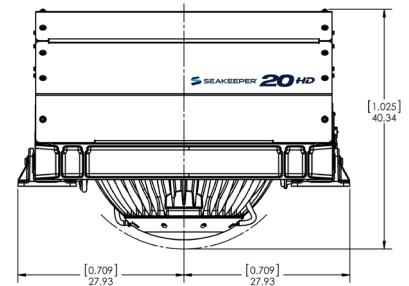
## TECH SPECS

<b>Rated Speed</b>	3,850 RPM
<b>Angular Momentum at Rated RPM</b>	20,000 N-M-S
<b>Anti-Rolling Torque at Rated RPM</b>	43,076 N-M
<b>Spool-up Time to Rated RPM</b>	70 minutes (3,850 RPM)
<b>Spool-up Time to Stabilization</b>	50 minutes (3,100 RPM)
<b>Spool-up Power</b>	
AC Motor	3000 Watts Max
DC Control	240 Watts
<b>Operating Power</b>	
AC Motor (sea state dependent)	1000 - 3000 Watts
DC Control	240 Watts
AC Input Voltage	208 - 230 VAC (+/- 10%), 50/60 Hz, Single Phase
DC Input Voltage	24 VDC @ 10 Amps
<b>Weight</b>	3,010 lbs (1,365 kg)
<b>Envelope Dimensions</b>	Length x Width x Height 52.7 L x 55.9 W x 40.4 H (inches) 1.34 L x 1.42 W x 1.03 H (meters)
<b>Noise Output</b>	72-74 dBC at 1 meter

## PORT VIEW



## FRONT VIEW



## TOP VIEW

