

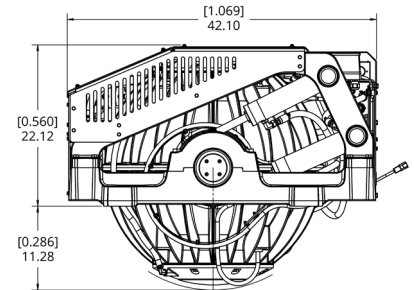
The Seakeeper 16 is designed to eliminate up to 95% of boat roll on recreational vessels ~60 to 69 feet (19.8-22.8 meters) or up to ~50 tons. It requires modest electrical power, has no outside appendages and can be installed virtually anywhere on board.



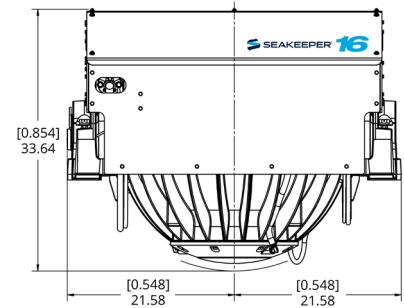
TECH SPECS

Rated Speed	6,130 RPM
Angular Momentum at Rated RPM	16,000 N-M-S
Max Anti-Rolling Torque at Rated RPM	30,720 N-M
Spool-up Time to Rated RPM	57 minutes (6,130 RPM)
Spool-up Time to Stabilization	45 minutes (5,210 RPM)
Spool-up Power	
AC Motor	3000 Watts Max
DC Control	240 Watts
Operating Power	
AC Motor (sea state dependent)	2300 - 3000 Watts
DC Control	240 Watts
AC Input Voltage	208 - 230 VAC (+/-10%), 50/60 Hz, Single Phase
DC Sea Water Pump Voltage	24 VDC @ Pump Manufacturing Rating
DC Input Voltage	24 VDC @ 10 Amps
Sea Water Supply to Heat Exchanger	30 LPM (8 GPM) Maximum 15 LPM (4 GPM) Minimum
Ambient Air Temperature	0° - 60° C (32° - 140° F)
Weight	2,270 lbs (1,030 kg) Bolt-in Installation
Envelope Dimensions	Length x Width x Height 42.10 L x 43.15 W x 33.64 H (Inches) 1.069 L x 1.096 W x 0.854 H (Meters)
Noise Output	At full operating RPM, steady state noise measured in the factory at a 1 meter distance measures 61 - 64 dBC. (Sound levels may be higher during spool-up)

PORT VIEW



FRONT VIEW



TOP VIEW

